

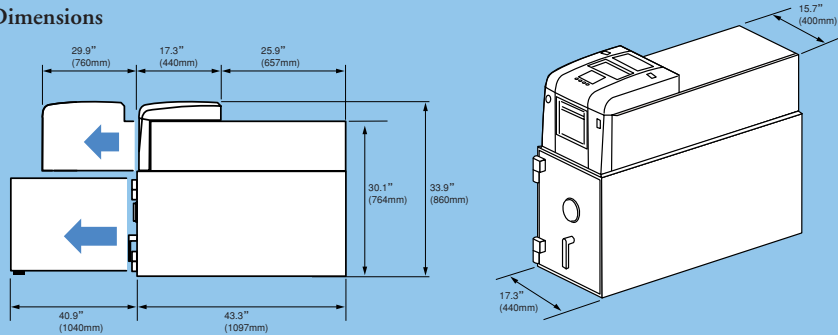
# Currency Recycler

RBU-11

## Specifications

Capacity	Deposit	: 150 Notes
	Dispense	: 100 Notes
Speed	Deposit	: 8 Notes Per Second
	Dispense	: 8 Notes Per Second
Escrow Unit		: 400 Notes
Currency Counter/Discriminator		: Uses Escrow Unit / 400 Notes
Storage Units		: 6 Stackers
		: 1000 Notes Per Stacker
		: Total 6000 Notes
Divert/Reject Bin		: 200 Notes
Dimensions / Weight		: 17.3"(W) × 43.3"(D) × 33.9"(H) (440 × 1097 × 860 mm) / 1003 lbs (455kg)
Security		: UL291 - 24 Hour Safe And Alarm Connectivity
Users		: Dual Tellers
Interface		: Two RS-232C / LAN
Power Supply		: Voltage: AC85 - 264V
		: Frequency: 50/60Hz (47-63Hz)
		: Max.power consumption: approx. 648W

## Dimensions



\* Specifications are subject to change without notice.  
 \* Please carefully read the instruction manual to ensure correct equipment usage.  
 \* Copyright © 2007 by GLORY LTD. All rights reserved.



**BANKER'S  
EQUIPMENT  
SERVICE**

11561 12th Avenue South, Burnsville, MN 55337  
 toll free 1-888-890-6661  
[www.BankersEquipment.com](http://www.BankersEquipment.com)

Distributed by:

Printed in Japan KD004-01 WA030907

**GLORY**

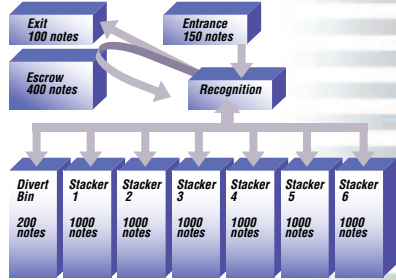
# CURRENCY RECYCLER RBU-11



- **Increase Teller Productivity**
- **Reduce Expenses**
- **Improve Cash Optimization**
- **Reduce Teller Differences**
- **Increase Cross-Selling Opportunities**
- **Enhance Branch Security**

## Recycling System

Operating cash is replenished and depleted by transactions processed throughout the day.



UL-291 24hr

*The RBU-11 Currency Recycler dispenses, accepts, sorts by denomination and stores currency transactions through a single source, and functions as a teller cash drawer.*

## Easy Access

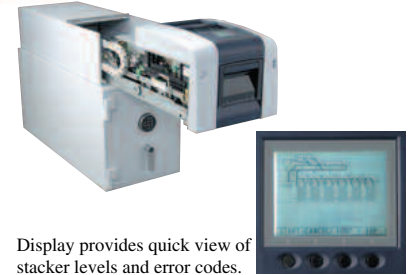
Cash can be manually removed from stackers to perform audits or in case of power failure.



6 Stackers in UL 291 Safe

## Easy Maintenance

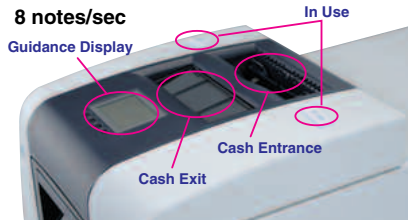
Front-loading stacker units and maintenance area allow easy access for cleaning and maintenance.



Display provides quick view of stacker levels and error codes.

## Increase Teller Productivity

Faster speed allows tellers to process more transactions quickly, increasing productivity, and reducing customer wait times.



## Increase Productivity and Reduce Expenses

**Increase staff productivity by quickly and efficiently processing all currency transactions through the RBU-11**

**Reduce customer wait times in line to be serviced**

**Reduce time spent manually verifying incoming shipments and preparing outgoing shipments, and customer currency orders**

**Eliminate dual-manual verification for cash bought and sold between tellers or the cash vault**

**Increase cross-selling opportunities at the teller window**

**Reduce staff required for branches open with extended hours and on weekends, eliminating overtime**

**Increase accuracy and reduce staff turnover due to teller differences.**

**Manage currency inventory levels reducing: Cash-In-Transit; total cash maintained in the branch, and at the individual teller level**

**Reduce back office expenses associated with cross-shipping of cash orders to and from the branches**

**Reduce armored courier expenses and increase cash optimization by limiting cross-shipping**

## Real Escrow

Bills are stored until the transaction is accepted by the teller. If the transaction is cancelled, the original bills are returned.

Utilizing the Escrow feature, the RBU-11 also functions as a Currency Counter/Discriminator.



## Space Saving Solutions

- Fits under standard teller counter configuration.
- Can be placed under or beside a desk.
- Adaptable to kiosk-style, open floor plan environment.
- Two tellers can be assigned to each RBU-11 at one time, in addition to additional tellers using the Vault "Buy/Sell" function.



## Alarms and Security

- UL291-24hour safe allows money to be stored overnight, and alarms to be connected into the bank's alarm monitoring system.
- Maintains an Electronic Journal of all transactions.



UL-291 24hr