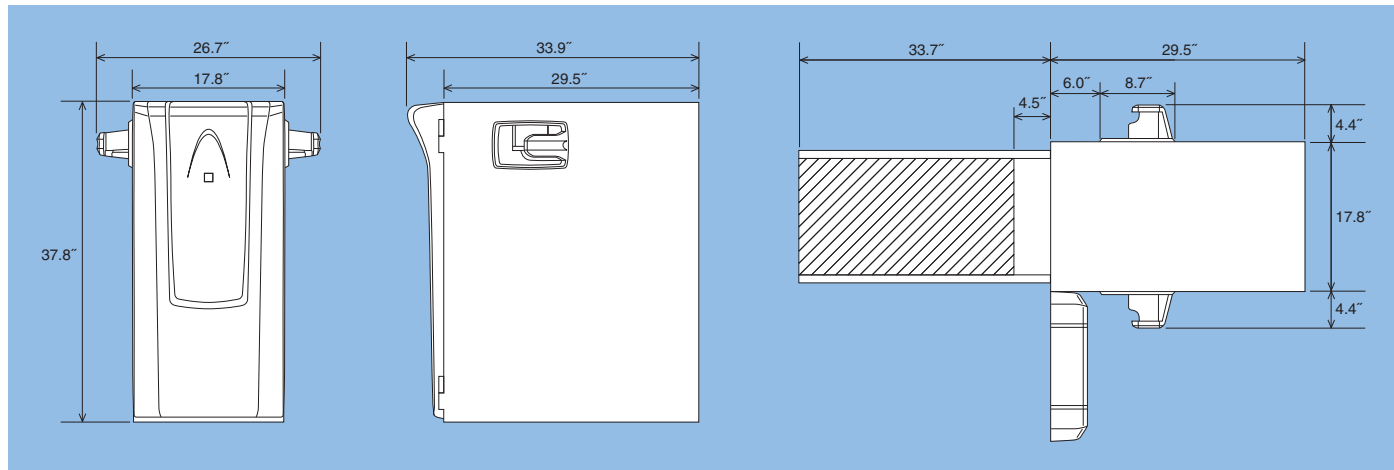


Cash Dispenser PD-600

Specifications

Dimensions	17.8" (W) x 29.5" (D) x 37.8" (H)
Weight	892.9 lbs.
Power Requirement	AC 120 V, 60 Hz
Cassette Capacity	3,000 notes
Reject Cassette	Separate "locking" reject cassette
Counting Speed	10 notes/second
Dispense Number (per transaction)	100 notes/transaction
Dispense Mechanism	Friction
Dispense Direction	Left and Right
Security Shutters	Standard
Vault Buy	Separate Serial Input Port
Security	UL-291 (24 Hr) safe
Interfaces	LAN: TCP/IP x 1 Serial: RS-232C x 3 IN for terminal, 2 OUT for coin dispenser
Option	Bait Money Kit (Requires TCP/IP Interface), Electronic Journal

Dimensions



* Specifications are subject to change without notice.
* Please carefully read the instruction manual to ensure correct equipment usage.
* Copyright © 2006 by GLORY LTD. All rights reserved.



Cash Dispenser PD-600

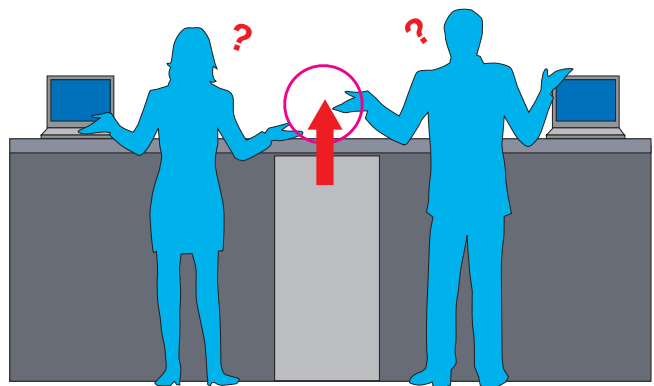


A Dual Bill Presenter Design Achieves Quick, Efficient Operations and Eliminates Teller Confusion. The Ultimate in Smooth and Secure Cash Dispensing, the PD-600 Enhances Teller Productivity.

A teller's transaction productivity varies considerably depending on whether the cash dispenser has only one presenter, or two separate presenters one on each side. GLORY's dual bill presenter design allows the PD-600 to handle two separate operations independently, guaranteeing true two-teller operation with a single cash dispenser for greater functionality. The end result is fast, hassle-free cash dispensing, thus reducing customer waiting time and eliminating the risk of a customer accidentally receiving another customer's cash. Our exclusive dual bill presenter design helps the teller handle long lines at the window and process transactions more efficiently, thereby further enhancing customer service.

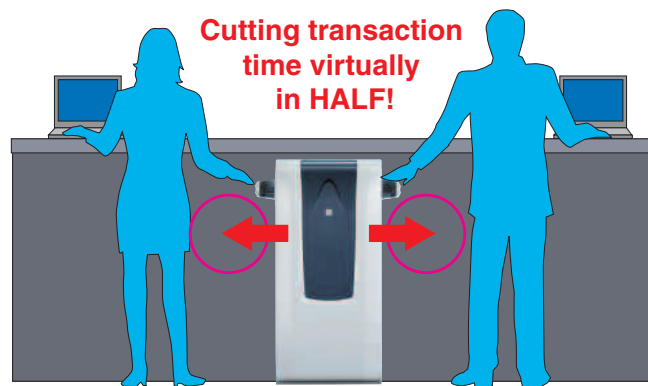


Single bill presenter design



- One presenter must be used alternately.
- A long time from cash dispensing to cash pick up.
- High risk of cash mix-ups.
- Low customer handling efficiency during peak business times.

Dual bill presenter design



- Two tellers can use a single machine as if it were their own.
- A short time from cash dispensing to cash pick up.
- Eliminates teller confusion.
- High customer handling efficiency during peak business times.

High-Speed, Super-Quiet Operation

Friction feeding technology for faster and quieter dispensing. High-speed dispensing at 10 notes/second.

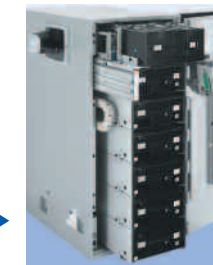
The PD-600 features friction feeding technology increasing dispensing speed and further reducing machine noise, thereby providing tellers with a more comfortable operating environment.



Front Loading Mechanism

Made of light resin materials — Front-loading cassettes.

The PD-600 comes complete with sliding cassettes made from light resin, making it easy to load notes before beginning operation, quickly replenishing notes during operation, and achieving a smooth recovery in the event of a paper jam between the cassette and the conveyor section.



The cash conveyor section also features a front-loading mechanism, allowing easy maintenance in the case of a jam.

Smaller Footprint Size

The compact cabinet fits under high counters.

The compact cabinet measures only 17.8" (W) x 29.5" (D) x 37.8" (H). The PD-600 can be easily installed under a high counter while still making it easy to extract notes from the bill presenters on both sides.

Large Capacity

The PD-600's large capacity reduces the trouble of having to replenish notes during operation — Six cassettes, each with a 3,000-note capacity.

Note capacity per cassette has been dramatically increased by 50%, thereby reducing the frequency of note replenishment while the machine is in operation, providing tellers with extra time for processing transactions during busy periods. Cassettes may be used in many ways optimizing them for individual users' situations (e.g. using more than one cassette for types of notes with higher dispensing frequencies). The Cassette Stand is included as a standard accessory to simplify the loading of notes.



▲ Each cassette can easily hold three 1,000-note bundles.

Single Note Divert

Dramatically reduced overall process time — The PD-600 diverts single suspect note to a reject bin.

When a note counting error or severe mutilation is detected, conventional dispensers are forced to reject all of the notes counted up to that point and begin counting and processing all over again, causing considerable delay. The PD-600, on the other hand, diverts only the suspect note to a reject bin, and fulfills the requested amount without halting operation. The reject bin requires reconciliation only once a week, minimizing daily handling and costs associated with diverted note reconciliation.

High-Level Security

A variety of emergency safety functions

- Bill presenter security shutters (standard equipment)
- Includes: UL-291 (24-hr) safe
- Bait Money Kit (option)
- Electronic journal (option)



Everything for the teller's high productivity — The PD-600 makes a real difference in speed, capacity, and user-friendliness.

GLORY Cash Dispenser PD-600

