

GLORY

Benchmark Series® 7 Teller Cash Dispenser



Faster transactions & increased security

The Benchmark Series 7 cash dispenser from Glory quickly and accurately dispenses cash, enhancing the customer's experience and improving operating efficiencies. By eliminating tedious manual cash counting, wait times are shorter, and staff has more time to focus on customer service, cross-selling and other critical activities.

Glory Global Solutions is a World Expert in cash management, delivering technology and solutions that provide security, productivity and innovation to our customers. These solutions are supported by the technical expertise of GLORY Group of Japan, the pioneer in development and manufacture of money handling machines across the financial, retail, vending machine, amusement and gaming industries for nearly 100 years.

Across the world, Glory Global Solutions is trusted by thousands of organizations to ensure their cash is managed securely and efficiently while delivering the ultimate in productivity. 2,500 professionals, including over 1,300 service and support staff and 350 business partners cover over 128 countries delivering these solutions – wherever money moves.

The Benchmark Series 7 cash dispenser quickly and accurately dispenses cash, enhancing the client's experience and improving operating efficiencies.

Lower total cost of ownership

- Benchmark Series 7 employs a dispensing mechanism built for high volume transactions. This results in greater equipment up-time, fewer service calls, and a better staff experience, as tellers continue assisting customers.
- Because Benchmark is purpose-built, it is one of the most reliable dispensers on the market. Coupled with Glory's top rated service, it is the risk-free choice.

Increase security, eliminate theft

- Benchmark Series 7 offers vault-level security and eliminates cash exposure — significantly reducing theft risk and improving the security of clients and staff.

Improve transaction efficiencies and enhance the client experience

- Accuracy and speed are what clients look for when conducting cash transactions; Benchmark Series 7 provides both. Its flexible configuration options ensure your individual needs can be met. The Benchmark 750 offers a wide range of cassette, drop box and security options that fit your needs.

Benchmark Technical Information

Dispense speed	Up to 15 notes per second
Note capacity	2,000 notes per cassette
Number of denominations	Up to 6
Dispense bundle size	Model 750 - 100 notes
Cassettes	Latching, keylocking or electronic locking cassettes
Connectivity	TCP/IP, Serial, USB API's for Windows, DOS, OS/2, UNIX Connectivity (TCP/IP, Serial, USB)
Power supply	115 - 230V AC 50/60Hz
Security	UL rated 24-hour Level 1 steel chest door protected by concealed dual control lock with alarm (door contact, heat sensor, vibration)
Options	PC upgrades CashInsight™ Assure Teller Cash Connect (TCC) Manager Cassette level security Several security lock options Data Display InstaChange® coin dispenser Deposit drop box façade
Power supply	115 - 230V AC 50/60Hz



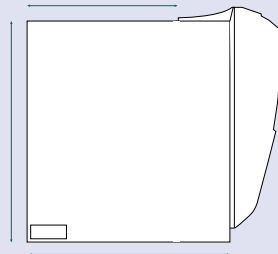
Glory Global Solutions Inc.
3333 Warrenville Road, Suite 310
Lisle, IL 60532 USA
T +1 (800) 527-2638 F +1 (630) 577-1217
info@us.glory-global.com www.gloryglobalsolutions.com

Glory Global Solutions is part of GLORY LTD.

This document is for general guidance only. As the Company's products and services are continually being developed it is important for customers to check that the information contained herein includes the latest particulars. Although every precaution has been taken in preparation of this document, the Company and the publisher accepts no responsibility for errors or omissions. The Company and the publisher accept no liability for loss or damages resulting from the use of the information contained herein. This document is not part of a contract or licence save insofar as may be expressly agreed. All capabilities and capacity and throughput figures are subject to note size, note quality and process used. All trademarks are owned by the GLORY Limited Group of companies.

Under counter depth:
26.65"
(677 mm)

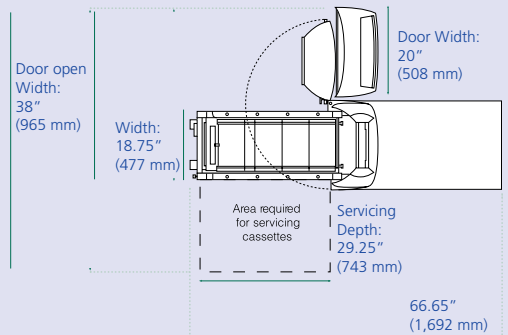
Model 750
Height:
38.25"
(972 mm)



Weight without cassettes:
1,100 lbs
(498.9 kg)

Total Depth:
45"
(1,143 mm)

Overall width:
56"
(1,422 mm)



Weight and dimensions shown are for UL 291 24 hrs Level 1 safe. Data for other configurations will vary. Please contact your account manager for details.

